



Thermassure

Double protection
anti-scald technology



Key benefits

Temperature limited to 45° C even at maximum hot position

Fitted with Neoperl laminar-flow aerator for a smooth, non-splash water stream

For Best Performance

Suitable for high pressure systems only – combi or megaflow if in a domestic property

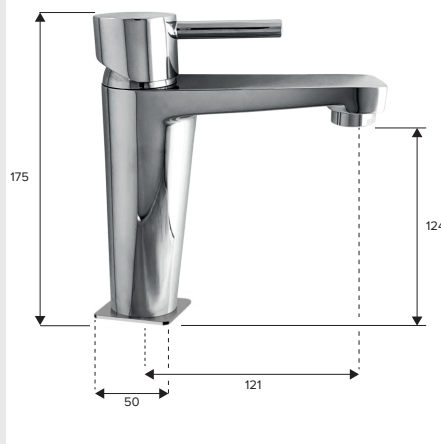
Minimum recommended operating pressure: 1.0 bar pressure dynamic but 1.5 bar for best performance

Recommended hot water supply minimum 60°C

Water pressure should be balanced supply

If cold water is greater than hot pressure, a PRV is recommended

Dimensions



Thermassure 'Anti-Scald' Milan Classic Basin Mixer Tap

Product ref: HH-TS009

Safety Cartridges

100% quality control: each cartridge is individually checked for leakage and antiscald function

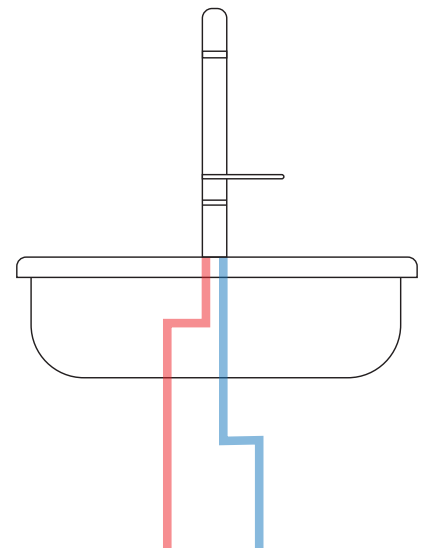
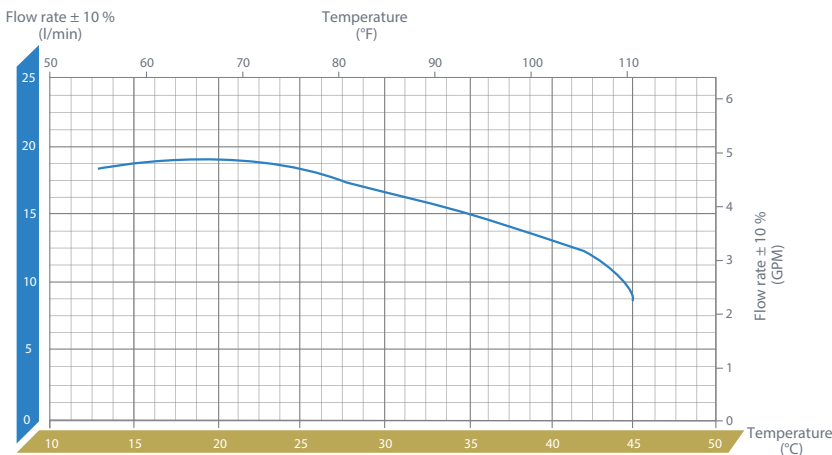
Materials are certified to drinkable water regulation requirements

Cartridges are guaranteed for one year

Please note the hot feed must be connected correctly or the safety function will not work.

When tap faces you the hot feed is on the left.

Flow Rate Vs Temperature



Hart Home Interiors Ltd

The Courtyard, Great Sarratt Hall Farm, Sarratt, Herts, WD3 4PD

T. +44 (0) 1923 265609

Hart Home
GROUP